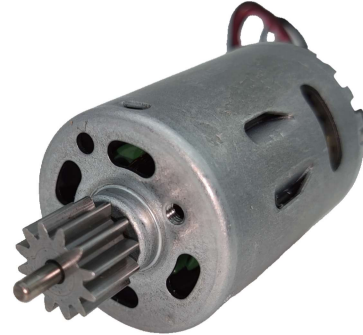
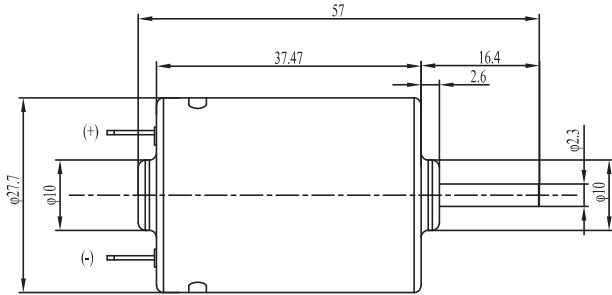


**D2838 Series**



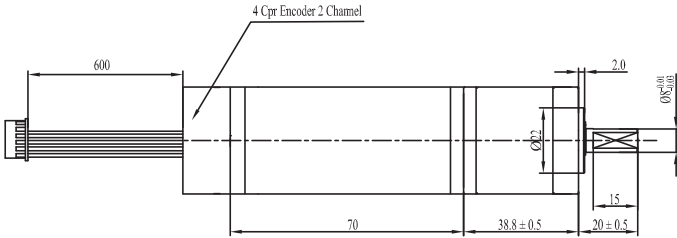
**General Specifications (特性概要)**

|                              |                           |
|------------------------------|---------------------------|
| Dielectric Strength (介电强度)   | 600VAC 50Hz 5mA/1S        |
| Insulation Resistance (绝缘电阻) | DC 500V/1MΩ               |
| Ambient Temperature (环境温度)   | -20°C to +40°C            |
| Insulation Class (绝缘等级)      | Class B, Class F, Class H |

**Electrical Specifications (电性能)**

|                        | Unit (单位) |       |
|------------------------|-----------|-------|
| Rated Voltage (额定电压)   | VDC       | 12    |
| Rated Speed (额定速度)     | rpm       | 8350  |
| Rated Torque (额定转矩)    | mN.m      | 10    |
| Rated Current (额定电流)   | A         | 1     |
| No Load Speed (空载转速)   | RPM       | 10300 |
| No Load Current (空载电流) | A         | 0.23  |
| Stall Current (堵转电流)   | A         | 4.3   |
| Stall Torque (堵转转矩)    | mN.m      | 51.5  |
| Weight of Motor (机身重量) | Kg        | 0.08  |
| Motor Length (机身长度)    | mm        | 38    |

**D3670A Series**



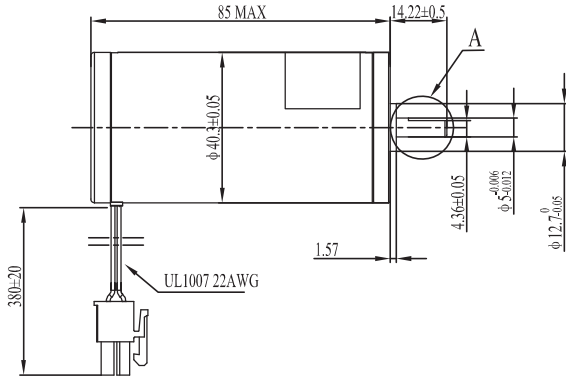
**General Specifications (特性概要)**

|                              |                           |
|------------------------------|---------------------------|
| Dielectric Strength (介电强度)   | 600VAC 50Hz 5mA/1S        |
| Insulation Resistance (绝缘电阻) | DC 500V/1MΩ               |
| Ambient Temperature (环境温度)   | -20°C to +40°C            |
| Insulation Class (绝缘等级)      | Class B, Class F, Class H |

**Electrical Specifications (电性能)**

|                        | Unit (单位) |      |
|------------------------|-----------|------|
| Rated Voltage (额定电压)   | VDC       | 24   |
| Rated Speed (额定速度)     | rpm       | 150  |
| Rated Torque (额定转矩)    | N.m       | 3    |
| Rated Current (额定电流)   | A         | 4    |
| No Load Speed (空载转速)   | RPM       | 200  |
| No Load Current (空载电流) | A         | 0.55 |
| Stall Current (堵转电流)   | A         | 17.5 |
| Stall Torque (堵转转矩)    | N.m       | 15.7 |
| Weight of Motor (机身重量) | Kg        | 0.51 |
| Reduction Ratio (减速比)  | i         | 50   |
| Motor Length (机身长度)    | mm        | 110  |

④ D4070A Series



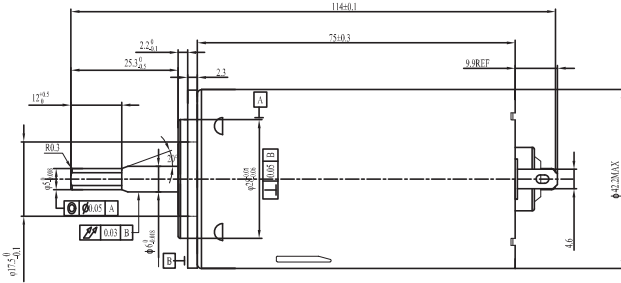
General Specifications (特性概要)

|                              |                           |
|------------------------------|---------------------------|
| Dielectric Strength (介电强度)   | 600VAC 50Hz 5mA/1S        |
| Insulation Resistance (绝缘电阻) | DC 500V/1MΩ               |
| Ambient Temperature (环境温度)   | -20°C to +40°C            |
| Insulation Class (绝缘等级)      | Class B, Class F, Class H |

Electrical Specifications (电性能)

|                        | Unit (单位) |      |
|------------------------|-----------|------|
| Rated Voltage (额定电压)   | VDC       | 12   |
| Rated Speed (额定速度)     | rpm       | 3000 |
| Rated Torque (额定转矩)    | N.m       | 69   |
| Rated Current (额定电流)   | A         | 2.6  |
| No Load Speed (空载转速)   | RPM       | 4200 |
| No Load Current (空载电流) | A         | 0.3  |
| Stall Current (堵转电流)   | A         | 9    |
| Stall Torque (堵转转矩)    | N.m       | 250  |
| Weight of Motor (机身重量) | Kg        | 0.45 |
| Motor Length (机身长度)    | mm        | 80   |

Ⓜ D4275A Series



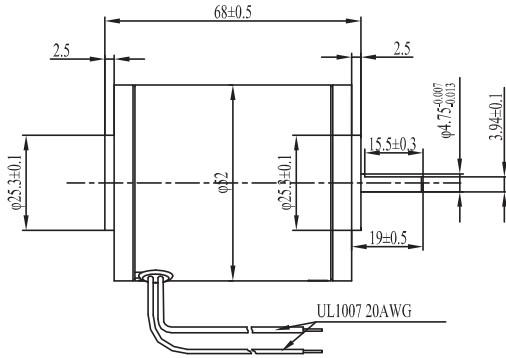
General Specifications (特性概要)

|                              |                    |
|------------------------------|--------------------|
| Dielectric Strength (介电强度)   | 600VAC 50Hz 5mA/1S |
| Insulation Resistance (绝缘电阻) | DC 500V/1MΩ        |
| Ambient Temperature (环境温度)   | -20°C to +40°C     |
| Insulation Class (绝缘等级)      | Class B            |

Electrical Specifications (电性能)

|                        | Unit (单位) |        |
|------------------------|-----------|--------|
| Rated Voltage (额定电压)   | VDC       | 24     |
| Rated Speed (额定速度)     | rpm       | 3690   |
| Rated Torque (额定转矩)    | N.m       | 0.0745 |
| Rated Current (额定电流)   | A         | 1.55   |
| No Load Speed (空载转速)   | RPM       | 4400   |
| No Load Current (空载电流) | A         | 0.15   |
| Stall Current (堵转电流)   | A         | 8.8    |
| Stall Torque (堵转转矩)    | N.m       | 0.46   |
| Weight of Motor (机身重量) | Kg        | 0.35   |
| Motor Length (机身长度)    | mm        | 75     |

**D5268A Series**



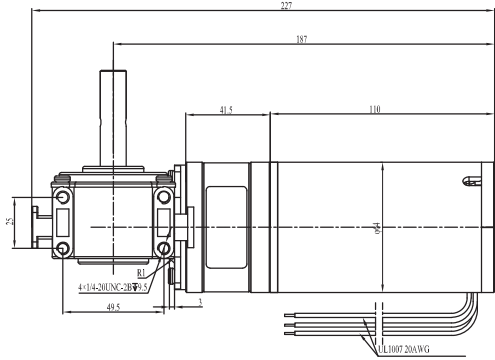
**General Specifications (特性概要)**

|                              |                           |
|------------------------------|---------------------------|
| Dielectric Strength (介电强度)   | 600VAC 50Hz 5mA/1S        |
| Insulation Resistance (绝缘电阻) | DC 500V/1MΩ               |
| Ambient Temperature (环境温度)   | -20°C to +40°C            |
| Insulation Class (绝缘等级)      | Class B, Class F, Class H |

**Electrical Specifications (电性能)**

|                        | Unit (单位) |       |
|------------------------|-----------|-------|
| Rated Voltage (额定电压)   | VDC       | 24    |
| Rated Speed (额定速度)     | rpm       | 2900  |
| Rated Torque (额定转矩)    | N.m       | 0.055 |
| Rated Current (额定电流)   | A         | ≤1.4  |
| No Load Speed (空载转速)   | RPM       | 4100  |
| No Load Current (空载电流) | A         | ≤0.4  |
| Stall Current (堵转电流)   | A         | 4.7   |
| Stall Torque (堵转转矩)    | N.m       | 0.25  |
| Weight of Motor (机身重量) | Kg        | 0.46  |
| Motor Length (机身长度)    | mm        | 68    |

**Ⓜ D64110A Series**



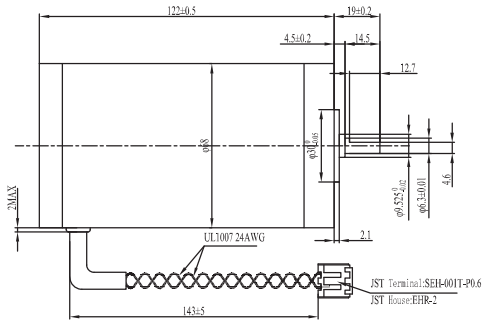
**General Specifications (特性概要)**

|                              |                           |
|------------------------------|---------------------------|
| Dielectric Strength (介电强度)   | 600VAC 50Hz 5mA/1S        |
| Insulation Resistance (绝缘电阻) | DC 500V/1MΩ               |
| Ambient Temperature (环境温度)   | -20°C to +40°C            |
| Insulation Class (绝缘等级)      | Class B, Class F, Class H |

**Electrical Specifications (电性能)**

|                        | Unit (单位) |       |
|------------------------|-----------|-------|
| Rated Voltage (额定电压)   | VDC       | 12    |
| Rated Speed (额定速度)     | rpm       | 3300  |
| Rated Torque (额定转矩)    | N.m       | 0.1   |
| Rated Current (额定电流)   | A         | 1     |
| No Load Speed (空载转速)   | RPM       | 3500  |
| No Load Current (空载电流) | A         | 0.2   |
| Stall Current (堵转电流)   | A         | 8.5   |
| Stall Torque (堵转转矩)    | N.m       | 1.57  |
| Weight of Motor (机身重量) | Kg        | 2.5   |
| Motor Length (机身长度)    | mm        | 110   |
| Reduction Ratio (减速比)  | /         | 180/1 |

**D68122A Series**



**General Specifications (特性概要)**

|                              |                           |
|------------------------------|---------------------------|
| Dielectric Strength (介电强度)   | 600VAC 50Hz 5mA/1S        |
| Insulation Resistance (绝缘电阻) | DC 500V/1MΩ               |
| Ambient Temperature (环境温度)   | -20°C to +40°C            |
| Insulation Class (绝缘等级)      | Class B, Class F, Class H |

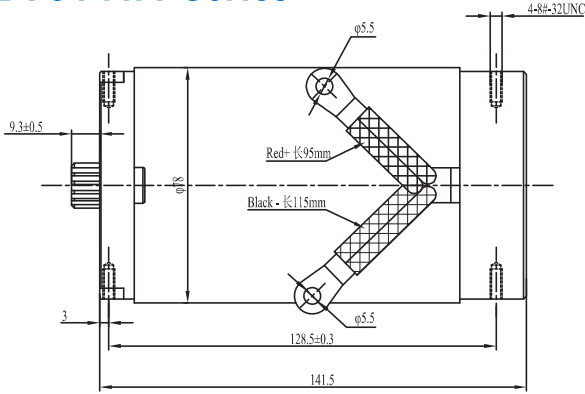
**Electrical Specifications (电性能)**

|                        | Unit (单位) |       |
|------------------------|-----------|-------|
| Rated Voltage (额定电压)   | VDC       | 162   |
| Rated Speed (额定速度)     | rpm       | 4540  |
| Rated Torque (额定转矩)    | N.m       | 0.52  |
| Rated Current (额定电流)   | A         | 1.85  |
| No Load Speed (空载转速)   | RPM       | 5500  |
| No Load Current (空载电流) | A         | 0.135 |
| Stall Current (堵转电流)   | A         | 10    |
| Stall Torque (堵转转矩)    | N.m       | 2.98  |
| Weight of Motor (机身重量) | Kg        | 1.6   |
| Motor Length (机身长度)    | mm        | 122   |





**D78141A Series**



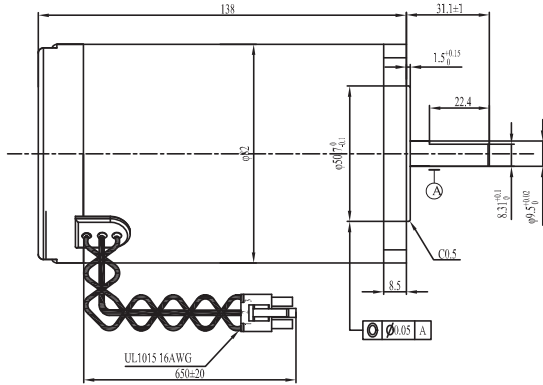
**General Specifications (特性概要)**

|                              |                           |
|------------------------------|---------------------------|
| Dielectric Strength (介电强度)   | 600VAC 50Hz 5mA/1S        |
| Insulation Resistance (绝缘电阻) | DC 500V/1MΩ               |
| Ambient Temperature (环境温度)   | -20°C to +40°C            |
| Insulation Class (绝缘等级)      | Class B, Class F, Class H |

**Electrical Specifications (电性能)**

|                        | Unit(单位) |      |
|------------------------|----------|------|
| Rated Voltage (额定电压)   | VDC      | 12   |
| Rated Speed (额定速度)     | rpm      | 5300 |
| Rated Torque (额定转矩)    | N.m      | 1.3  |
| Rated Current (额定电流)   | A        | 85   |
| No Load Speed (空载转速)   | RPM      | 6851 |
| No Load Current (空载电流) | A        | 11   |
| Stall Current (堵转电流)   | A        | 345  |
| Stall Torque (堵转转矩)    | N.m      | 5.9  |
| Weight of Motor (机身重量) | Kg       | 2.44 |
| Motor Length (机身长度)    | mm       | 141  |

Ⓜ D82138A Series



General Specifications (特性概要)

|                              |                           |
|------------------------------|---------------------------|
| Dielectric Strength (介电强度)   | 600VAC 50Hz 5mA/1S        |
| Insulation Resistance (绝缘电阻) | DC 500V/1MΩ               |
| Ambient Temperature (环境温度)   | -20°C to +40°C            |
| Insulation Class (绝缘等级)      | Class B, Class F, Class H |

Electrical Specifications (电性能)

|                        | Unit(单位) |      |
|------------------------|----------|------|
| Rated Voltage (额定电压)   | VDC      | 24   |
| Rated Speed (额定速度)     | rpm      | 900  |
| Rated Torque (额定转矩)    | N.m      | 1    |
| Rated Current (额定电流)   | A        | ≤7.5 |
| No Load Speed (空载转速)   | RPM      | 3100 |
| No Load Current (空载电流) | A        | ≤0.4 |
| Stall Current (堵转电流)   | A        | 18   |
| Stall Torque (堵转转矩)    | N.m      | 2.8  |
| Weight of Motor (机身重量) | Kg       | 2.35 |
| Motor Length (机身长度)    | mm       | 138  |



