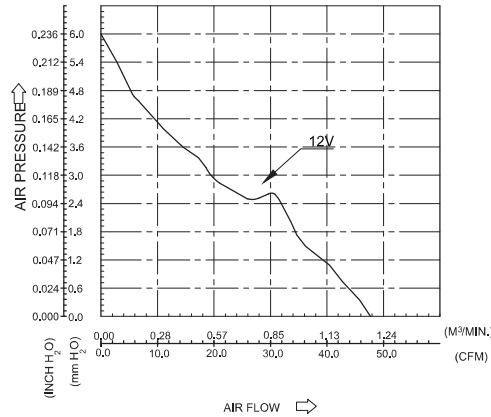
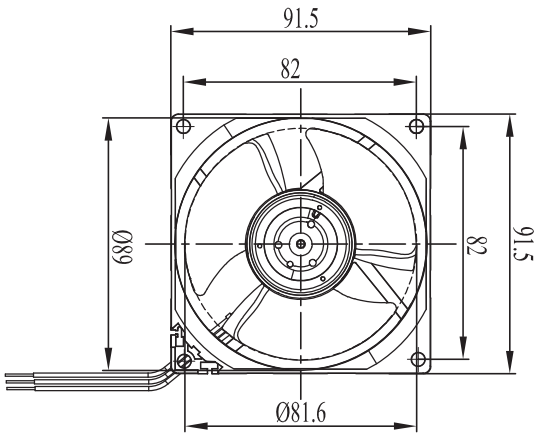


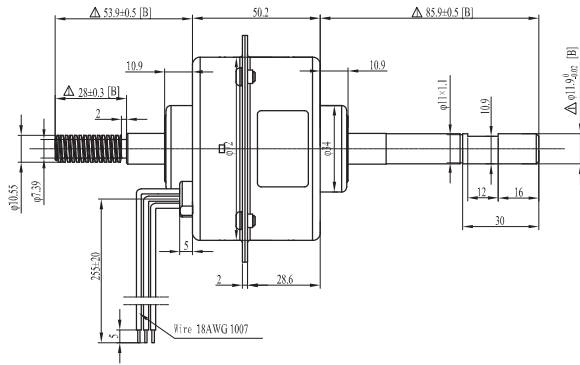
W2410



Electrical Specifications (电性能)

Rated voltage (额定电压)	12V
Operation Voltage (工作电压)	10.8-13.2 VDC
Min. Start Duty Cycle (最小启动占空比)	30%@12V,25KHZ,25°C
Rated Current(AVG.) ((额定电流)	0.12(Max.0.19)A
Rated power(AVG.) ((额定功率)	1.44(Max.2.16)W
Rated speed (额定速度)	3350±7% RPM
Max. Air Flow (最大流量)	1.330(MIN. 1.157)M <sup>3</sup> /MIN
Max. Air Pressure (最大压力)	5.77(MIN. 4.367)mmH <sub>2</sub> O
Acoustical Noise At 1M(AVG.) (距离1M时的噪声)	33.5(Max.37.5)dB-A
Insulation Type (绝缘等级)	Class A/Class B
Insulation Strength (绝缘强度)	DC 500V/10MΩ
Dielectric Strength (介电强度)	500VAC 50/60Hz 5mA
Weight (重量)	0.09KG

## W7025A Series



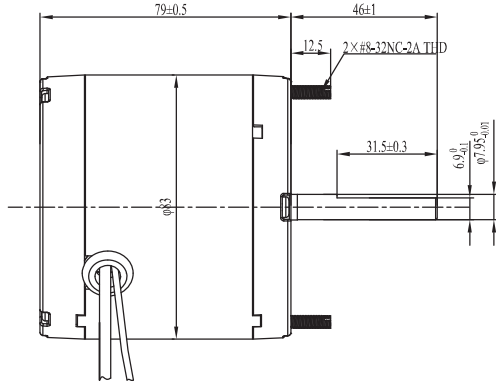
### General Specifications (特性概要)

Winding Type(绕组连接方式)	Triangle (三角形)
Hall Effect Angle (霍尔分布角度)	/
Rotor Type (转子类型)	Inrunner (内转子)
Drive Mode (驱动方式)	external (外置)
Dielectric Strength (介电强度)	600VAC 50Hz 5mA/1S
Insulation Resistance(绝缘电阻)	DC 500V/1MΩ
Ambient Temperature(环境温度)	-20°C to +40°C
Insulation Class(绝缘等级)	Class B, Class F,

### Electrical Specifications (电性能)

	Unit (单位)	
Rated Voltage (额定电压)	VDC	12
Rated Torque (额定转矩)	N.m	0.3
Rated Speed (额定速度)	RPM	1430
Rated Power (额定功率)	W	45
Rated Current (额定电流)	A	6.5
No Load Speed (空载转速)	RPM	2150
No Load Current (空载电流)	A	1.5
Peak Torque (峰值转矩)	N.m	0.9
Peak Current (峰值电流)	A	17
Motor Length (机身长度)	mm	50
Weight (重量)	Kg	1

W8380A Series



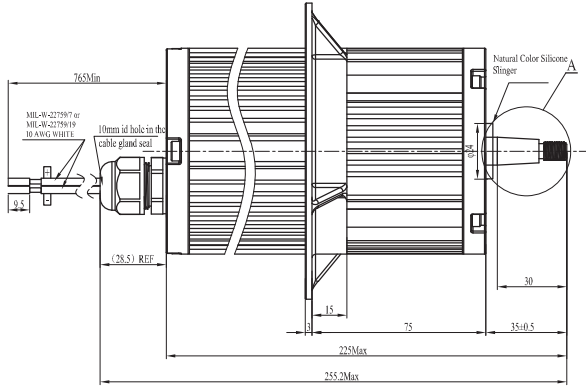
General Specifications (特性概要)

Winding Type (绕组连接方式)	Star (星型)
Hall Effect Angle (霍尔分布角度)	/
Rotor Type (转子类型)	Inrunner (内转子)
Drive Mode (驱动方式)	Internal(内置)
Dielectric Strength (介电强度)	1500VAC 50Hz 5mA/1S
Insulation Resistance (绝缘电阻)	DC 500V/1MΩ
Ambient Temperature (环境温度)	-20°C to +40°C
Insulation Class (绝缘等级)	Class B, Class F,

Electrical Specifications (电性能)

	Unit (单位)	
Rated Voltage (额定电压)	VAC	120
Rated Torque (额定转矩)	N.m	0.2
Rated Speed (额定速度)	RPM	1420
Rated Power (额定功率)	W	29.7
Rated Current (额定电流)	A	0.587
No Load Speed (空载转速)	RPM	2400
No Load Current (空载电流)	A	≤0.2
Peak Torque (峰值转矩)	N.m	0.5
Peak Current (峰值电流)	A	1.2
Motor Length (机身长度)	mm	80
Weight (重量)	Kg	0.82

W89138A Series



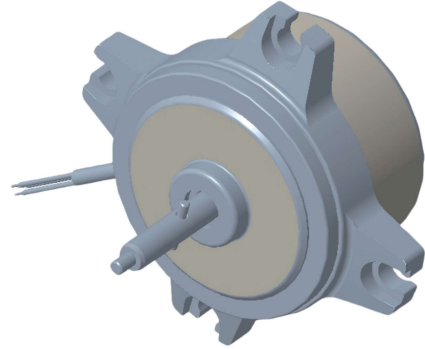
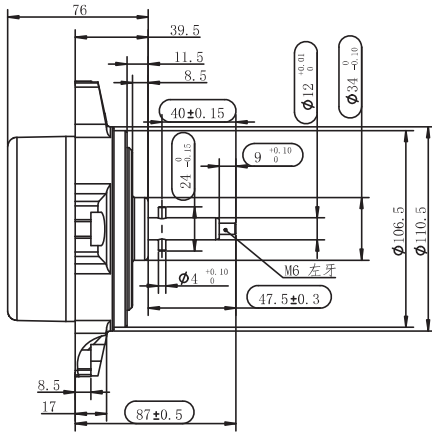
General Specifications (特性概要)

Winding Type (绕组连接方式)	Triangle (三角形)
Hall Effect Angle (霍尔分布角度)	/
Rotor Type (转子类型)	Inrunner (内转子)
Drive Mode (驱动方式)	Internal(内置)
Dielectric Strength (介电强度)	600VAC 50Hz 5mA/1S
Insulation Resistance (绝缘电阻)	DC 500V/1MΩ
Ambient Temperature (环境温度)	-20°C to +40°C
Insulation Class (绝缘等级)	Class B, Class F, Class H

Electrical Specifications (电性能)

	Unit (单位)	
Rated Voltage (额定电压)	VDC	27
Rated Torque (额定转矩)	N.m	1.2
Rated Speed (额定速度)	RPM	3300
Rated Power (额定功率)	W	414
Rated Current (额定电流)	A	21.5
No Load Speed (空载转速)	RPM	4200
No Load Current (空载电流)	A	2
Peak Torque (峰值转矩)	N.m	5.6
Peak Current (峰值电流)	A	91
Motor Length (机身长度)	mm	225
Weight (重量)	Kg	1.85

W10076A



General Specifications (特性概要)

Winding Type (绕组连接方式)	Star (星型)
Hall Effect Angle (霍尔分布角度)	无
Rotor Type (转子类型)	Outrunner (外转子)
Drive Mode (驱动方式)	Internal (内置)
Dielectric Strength (介电强度)	1500VAC 50Hz 5mA/1S
Insulation Resistance (绝缘电阻)	DC 500V/1MΩ
Ambient Temperature (环境温度)	-20°C to +40°C
Insulation Class (绝缘等级)	Class B, Class F,

Electrical Specifications (电性能)

	Unit (单位)	
Rated Voltage (额定电压)	VAC	220
Rated Torque (额定转矩)	N.m	1.16
Rated Speed (额定速度)	RPM	1230
Rated Power (额定功率)	W	150
Rated Current (额定电流)	A	0.63
No load Speed (空载转速)	RPM	2163
No load Current (空载电流)	A	0.1
Peak Torque (峰值转矩)	N.m	6.8
Peak Current (峰值电流)	A	5
Motor Length (机身长度)	mm	76
Weight (重量)	Kg	2.2