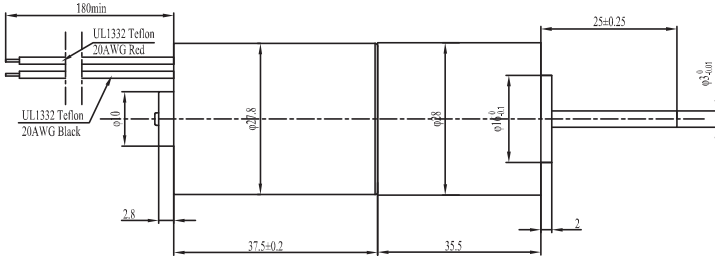


W2838A Series



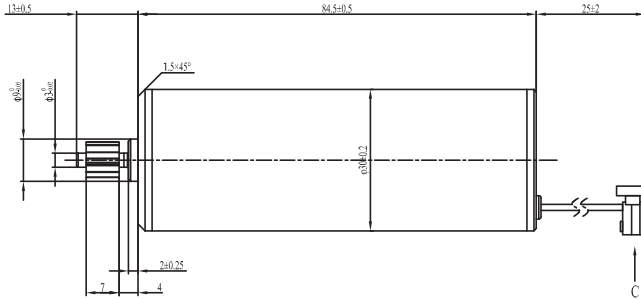
General Specifications (特性概要)

Winding Type (绕组连接方式)	Star (星形)
Hall Effect Angle (霍尔分布角度)	/
Rotor Type (转子类型)	Inrunner (内转子)
Drive Mode (驱动方式)	Internal (内置)
Dielectric Strength (介电强度)	600VAC 50Hz 5mA/1S
Insulation Resistance (绝缘电阻)	DC 500V/1MΩ
Ambient Temperature (环境温度)	-20°C to +40°C
Insulation Class (绝缘等级)	Class B, Class F,

Electrical Specifications (电性能)

	Unit (单位)	
Rated Voltage (额定电压)	VDC	12
Rated Torque (额定转矩)	mN.m	110
Rated Speed (额定速度)	RPM	150
Rated Power (额定功率)	W	1.72
Rated Current (额定电流)	A	0.35
No Load Speed (空载转速)	RPM	199
No Load Current (空载电流)	A	0.18
Peak Torque (峰值转矩)	mN.m	450
Peak Current (峰值电流)	A	1.1
Motor Length (机身长度)	mm	73
Reduction Ratio (减速比)	i	19
Weight (重量)	Kg	0.18

W3085A Series



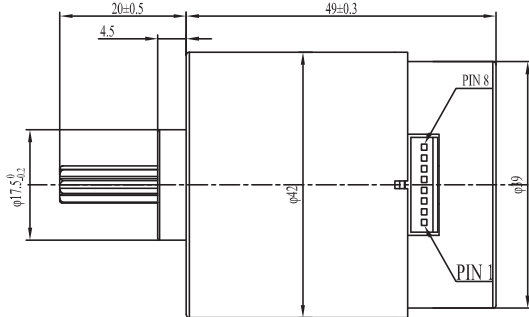
General Specifications (特性概要)

Winding Type (绕组连接方式)	Star (星形)
Hall Effect Angle (霍尔分布角度)	120
Rotor Type (转子类型)	Inrunner(内转子)
Drive Mode (驱动方式)	External (外置)
Dielectric Strength (介电强度)	600VAC 50Hz 5mA/1S
Insulation Resistance (绝缘电阻)	DC 500V/1MΩ
Ambient Temperature (环境温度)	-20°C to +40°C
Insulation Class (绝缘等级)	Class B, Class F,

Electrical Specifications (电性能)

	Unit (单位)	
Rated Voltage (额定电压)	VDC	12
Rated Torque (额定转矩)	mN.m	42
Rated Speed (额定速度)	RPM	1800
Rated Power (额定功率)	W	8
Rated Current (额定电流)	A	0.9
No Load Speed (空载转速)	RPM	2150
No Load Current (空载电流)	A	0.2
Peak Torque (峰值转矩)	mN.m	266
Peak Current (峰值电流)	A	4.7
Motor Length (机身长度)	mm	85
Weight (重量)	Kg	0.275

W4249A Series



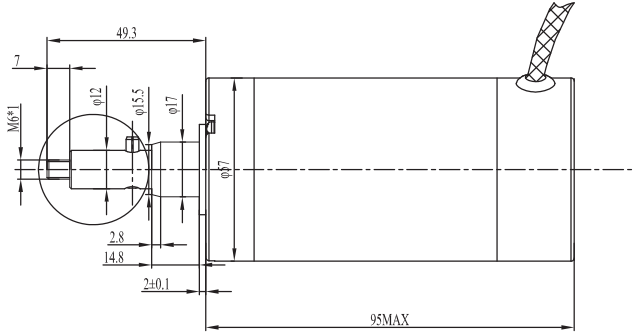
General Specifications (特性概要)

Winding Type (绕组连接方式)	Star (星形)
Hall Effect Angle (霍尔分布角度)	/
Rotor Type (转子类型)	Inrunner (内转子)
Drive Mode (驱动方式)	Internal (内置)
Dielectric Strength (介电强度)	600VAC 50Hz 5mA/1S
Insulation Resistance (绝缘电阻)	DC 500V/1MΩ
Ambient Temperature (环境温度)	-20°C to +40°C
Insulation Class (绝缘等级)	Class B, Class F,

Electrical Specifications (电性能)

	Unit (单位)	
Rated Voltage (额定电压)	VDC	12
Rated Torque (额定转矩)	mN.m	35
Rated Speed (额定速度)	RPM	2600
Rated Power (额定功率)	W	9.5
Rated Current (额定电流)	A	1.2
No Load Speed (空载转速)	RPM	3500
No Load Current (空载电流)	A	0.2
Peak Torque (峰值扭矩)	mN.m	0.14
Peak Current (峰值电流)	A	3
Motor Length (机身长度)	mm	49
Weight (重量)	Kg	0.3

W5795A Series



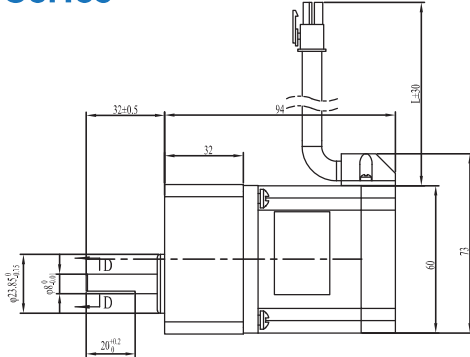
General Specifications (特性概要)

Winding Type (绕组连接方式)	Star (星形)
Hall Effect Angle (霍尔分布角度)	120
Rotor Type (转子类型)	Inrunner (内转子)
Drive Mode (驱动方式)	External (外置)
Dielectric Strength (介电强度)	600VAC 50Hz 5mA/1S
Insulation Resistance (绝缘电阻)	DC 500V/1MΩ
Ambient Temperature (环境温度)	-20°C to +40°C
Insulation Class (绝缘等级)	Class B, Class F,

Electrical Specifications (电性能)

	Unit (单位)	
Rated Voltage (额定电压)	VDC	24
Rated Torque (额定转矩)	N.m	0.35
Rated Speed (额定速度)	RPM	6770
Rated Power (额定功率)	W	250
Rated Current (额定电流)	A	11.8
No Load Speed (空载转速)	RPM	7800
No Load Current (空载电流)	A	1.8
Peak Torque (峰值转矩)	N.m	2.69
Peak Current (峰值电流)	A	78
Motor Length (机身长度)	mm	95
Weight (重量)	Kg	1.1

W6062 Series



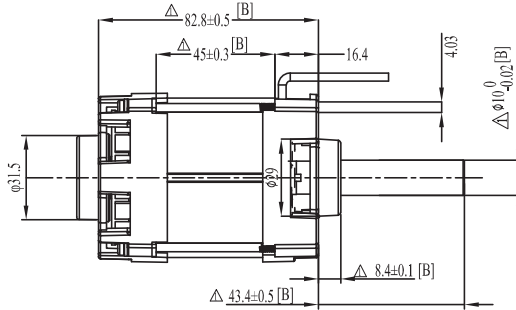
General Specifications (特性概要)

Winding Type (绕组连接方式)	Star (星形)
Hall Effect Angle (霍尔分布角度)	120
Rotor Type (转子类型)	Inrunner (内转子)
Drive Mode (驱动方式)	Internal (内置)
Dielectric Strength (介电强度)	600VAC 50Hz 5mA/1S
Insulation Resistance (绝缘电阻)	DC 500V/1MΩ
Ambient Temperature (环境温度)	-20°C to +40°C
Insulation Class (绝缘等级)	Class B, Class F,

Electrical Specifications (电性能)

	Unit (单位)	
Rated Voltage (额定电压)	VDC	36
Rated Torque (额定转矩)	N.m	3.65
Rated Speed (额定速度)	RPM	240
Rated Power (额定功率)	W	92
Rated Current (额定电流)	A	3.5
No Load Speed (空载转速)	RPM	480
No Load Current (空载电流)	A	0.8
Peak Torque (峰值转矩)	N.m	7.3
Peak Current (峰值电流)	A	6.5
Motor Length (机身长度)	mm	94
Reduction Ratio (减速比)	i	10
Weight (重量)	Kg	1.05

W6045A Series



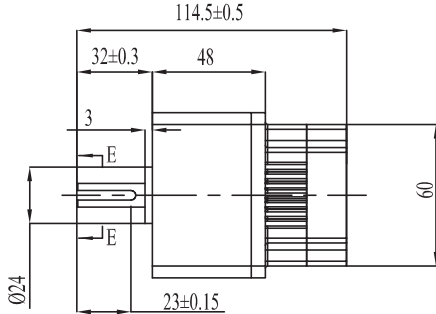
General Specifications (特性概要)

Winding Type (绕组连接方式)	Triangle (三角形)
Hall Effect Angle (霍尔分布角度)	/
Rotor Type (转子类型)	Inrunner (内转子)
Drive Mode (驱动方式)	External (外置)
Dielectric Strength (介电强度)	600VAC 50Hz 5mA/1S
Insulation Resistance (绝缘电阻)	DC 500V/1MΩ
Ambient Temperature (环境温度)	-20°C to +40°C
Insulation Class (绝缘等级)	Class B, Class F,

Electrical Specifications (电性能)

	Unit (单位)	
Rated Voltage (额定电压)	VDC	25
Rated Torque (额定转矩)	N.m	0.54
Rated Speed (额定速度)	RPM	15900
Rated Power (额定功率)	W	900
Rated Current (额定电流)	A	43.1
No Load Speed (空载转速)	RPM	18500
No Load Current (空载电流)	A	6.6
Peak Torque (峰值转矩)	N.m	13.8
Peak Current (峰值电流)	A	1100
Motor Length (机身长度)	mm	83
Weight (重量)	Kg	1

W7085A Series



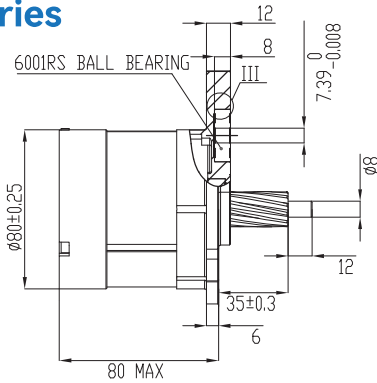
General Specifications (特性概要)

Winding Type (绕组连接方式)	Star (星形)
Hall Effect Angle (霍尔分布角度)	120
Rotor Type (转子类型)	Inrunner (内转子)
Drive Mode (驱动方式)	Internal (内置)
Dielectric Strength (介电强度)	600VAC 50Hz 5mA/1S
Insulation Resistance (绝缘电阻)	DC 500V/1MΩ
Ambient Temperature (环境温度)	-20°C to +40°C
Insulation Class (绝缘等级)	Class B, Class F,

Electrical Specifications (电性能)

	Unit (单位)	
Rated Voltage (额定电压)	VDC	24
Rated Torque (额定转矩)	N.m	0.132
Rated Speed (额定速度)	RPM	3000
Rated Power (额定功率)	W	41.4
Rated Current (额定电流)	A	2.2
No Load Speed (空载转速)	RPM	3676
No Load Current (空载电流)	A	0.195
Peak Torque (峰值转矩)	N.m	0.72
Peak Current (峰值电流)	A	11.1
Motor Length (机身长度)	mm	85
Reduction Ratio (减速比)	i	60
Weight (重量)	Kg	1.5

W7835 Series



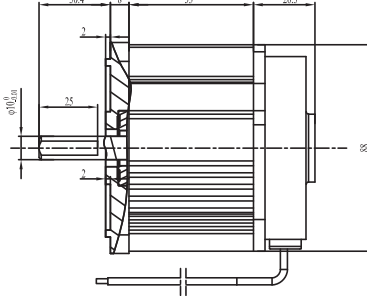
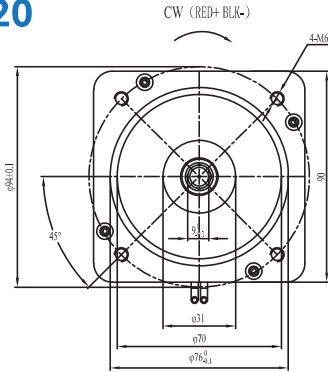
General Specifications (特性概要)

Winding Type (绕组连接方式)	Triangle (三角型)
Hall Effect Angle (霍尔分布角度)	120
Rotor Type (转子类型)	Inrunner (内转子)
Drive Mode (驱动方式)	External (外置)
Dielectric Strength (介电强度)	600VAC 50Hz 5mA/1S
Insulation Resistance (绝缘电阻)	DC 500V/1MΩ
Ambient Temperature (环境温度)	-20°C to +40°C
Insulation Class (绝缘等级)	Class B, Class F, Class H

Electrical Specifications (电性能)

	Unit (单位)	
Rated Voltage (额定电压)	VDC	48
Rated Torque (额定转矩)	N.m	1.3
Rated Speed (额定速度)	RPM	3150
Rated Power (额定功率)	W	430
Rated Current (额定电流)	A	14.5
No Load Speed (空载转速)	RPM	3988
No Load Current (空载电流)	A	21.2
Peak Torque (峰值扭矩)	N.m	6.5
Peak Current (峰值电流)	A	64
Motor Length (机身长度)	mm	66
Weight (重量)	Kg	1.05

W7820



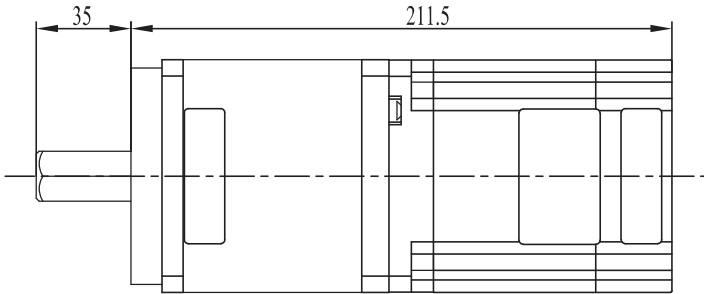
General Specifications (特性概要)

Winding Type (绕组连接方式)	Star(星型)
Hall Effect Angle (霍尔分布角度)	/
Rotor Type (转子类型)	Inrunner (内转子)
Drive Mode (驱动方式)	Internal(内置)
Dielectric Strength (介电强度)	1500VAC 50Hz 5mA/1S
Insulation Resistance (绝缘电阻)	DC 500V/1MΩ
Ambient Temperature (环境温度)	-20°C to +40°C
Insulation Class (绝缘等级)	Class B, Class F, Class H

Electrical Specifications (电性能)

	Unit (单位)	
Rated Voltage (额定电压)	VDC	74
Rated Torque (额定转矩)	N.m	0.53
Rated Speed (额定速度)	RPM	2000
Rated Power (额定功率)	W	111
Rated Current (额定电流)	A	2.55
No Load Speed (空载转速)	RPM	3380
No Load Current (空载电流)	A	0.117
Peak Torque (峰值转矩)	N.m	1.3
Peak Current (峰值电流)	A	6
Motor Length (机身长度)	mm	90
Weight (重量)	Kg	1.2

W86109A Series



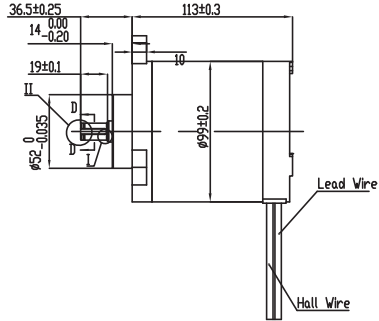
General Specifications (特性概要)

Winding Type (绕组连接方式)	Star (星形)
Hall Effect Angle (霍尔分布角度)	/
Rotor Type (转子类型)	Inrunner (内转子)
Drive Mode (驱动方式)	Internal (内置)
Dielectric Strength (介电强度)	600VAC 50Hz 5mA/1S
Insulation Resistance (绝缘电阻)	DC 500V/1MΩ
Ambient Temperature (环境温度)	-20°C to +40°C
Insulation Class (绝缘等级)	Class B, Class F,

Electrical Specifications (电性能)

	Unit (单位)	
Rated Voltage (额定电压)	VDC	130
Rated Torque (额定转矩)	N.m	46.7
Rated Speed (额定速度)	RPM	78
Rated Power (额定功率)	W	380
Rated Current (额定电流)	A	5
No Load Speed (空载转速)	RPM	90
No Load Current (空载电流)	A	0.65
Peak Torque (峰值转矩)	N.m	120
Peak Current (峰值电流)	A	30
Motor Length (机身长度)	mm	200
Reduction Ratio (减速比)	i	40
Weight (重量)	Kg	5.4

W100113A Series



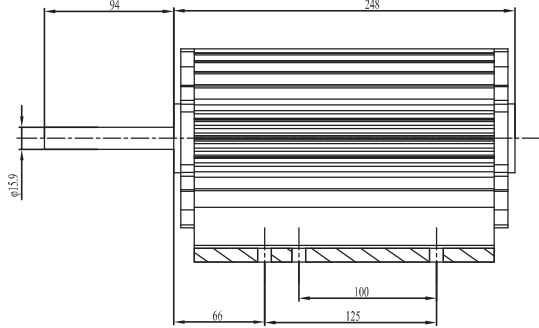
General Specifications (特性概要)

Winding Type (绕组连接方式)	Triangle (三角型)
Hall Effect Angle (霍尔分布角度)	120
Rotor Type (转子类型)	Inrunner (内转子)
Drive Mode (驱动方式)	External (外置)
Dielectric Strength (介电强度)	600VAC 50Hz 5mA/1S
Insulation Resistance (绝缘电阻)	DC 500V/1MΩ
Ambient Temperature (环境温度)	-20°C to +40°C
Insulation Class (绝缘等级)	Class B, Class F, Class H

Electrical Specifications (电性能)

	Unit (单位)	
Rated Voltage (额定电压)	VDC	24
Rated Torque (额定转矩)	N.m	5
Rated Speed (额定速度)	RPM	510
Rated Power (额定功率)	W	265
Rated Current (额定电流)	A	18
No Load Speed (空载转速)	RPM	820
No Load Current (空载电流)	A	0.9
Peak Torque (峰值转矩)	N.m	13
Peak Current (峰值电流)	A	47.5
Motor Length (机身长度)	mm	113
Weight (重量)	Kg	5.5

W110248A Series



General Specifications (特性概要)

Winding Type (绕组连接方式)	Triangle (三角型)
Hall Effect Angle (霍尔分布角度)	/
Rotor Type (转子类型)	Inrunner (内转子)
Drive Mode (驱动方式)	External (外置)
Dielectric Strength (介电强度)	1500VAC 50Hz 5mA/1S
Insulation Resistance (绝缘电阻)	DC 500V/1MΩ
Ambient Temperature (环境温度)	-20°C to +40°C
Insulation Class (绝缘等级)	Class B, Class F, Class H

Electrical Specifications (电性能)

	Unit (单位)	
Rated Voltage (额定电压)	VDC	310
Rated Torque (额定转矩)	N.m	3.6
Rated Speed (额定速度)	RPM	1400
Rated Power (额定功率)	W	527
Rated Current (额定电流)	A	6.7
No Load Speed (空载转速)	RPM	2600
No Load Current (空载电流)	A	0.7
Peak Torque (峰值转矩)	N.m	7.88
Peak Current (峰值电流)	A	13.9
Motor Length (机身长度)	mm	248
Weight (重量)	Kg	12.5