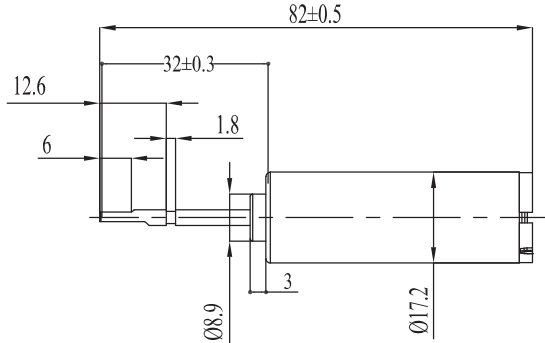


**W1750A Series**



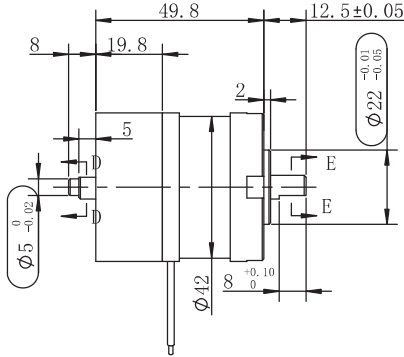
**General Specifications (特性概要)**

Winding Type (绕组连接方式)	Star (星形)
Hall Effect Angle (霍尔分布角度)	/
Rotor Type (转子类型)	Outrunner (外转子)
Drive Mode (驱动方式)	External (外置)
Dielectric Strength (介电强度)	600VAC 50Hz 5mA/1S
Insulation Resistance (绝缘电阻)	DC 500V/1MΩ
Ambient Temperature (环境温度)	-20°C to +40°C
Insulation Class (绝缘等级)	Class B, Class F,

**Electrical Specifications (电性能)**

	Unit (单位)	
Rated Voltage (额定电压)	VDC	7.4
Rated Torque (额定转矩)	mN.m	6
Rated Speed (额定速度)	RPM	3018
Rated Power (额定功率)	W	2.3
Rated Current (额定电流)	A	0.35
No Load Speed (空载转速)	RPM	4000
No Load Current (空载电流)	A	0.08
Peak Torque (峰值转矩)	mN.m	34
Peak Current (峰值电流)	A	1.5
Motor Length (机身长度)	mm	50
Weight (重量)	Kg	0.3

**W4220**



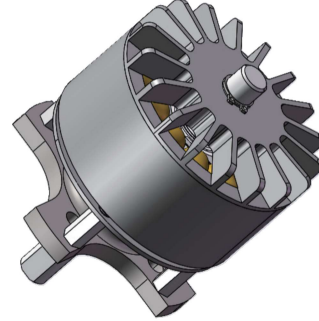
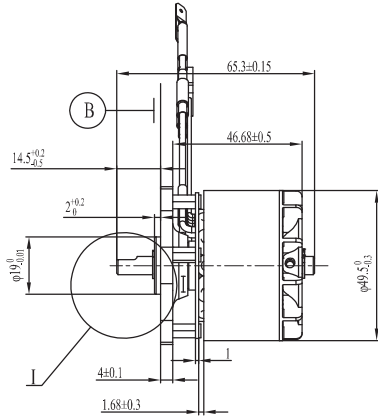
**General Specifications (特性概要)**

Winding Type (绕组连接方式)	Triangal (三角型)
Hall Effect Angle (霍尔分布角度)	/
Rotor Type (转子类型)	Outrunner (外转子)
Drive Mode (驱动方式)	External (外置)
Dielectric Strength (介电强度)	600VAC 50Hz 5mA/1S
Insulation Resistance (绝缘电阻)	DC 500V/1MΩ
Ambient Temperature (环境温度)	-20°C to +40°C
Insulation Class (绝缘等级)	Class B, Class F,

**Electrical Specifications (电性能)**

	Unit (单位)	
Rated Voltage (额定电压)	VDC	24
Rated Torque (额定转矩)	N.m	2.0
Rated Speed (额定速度)	RPM	120
Rated Power (额定功率)	W	27.2
Rated Current (额定电流)	A	1.56
No Load Speed (空载转速)	RPM	144
No Load Current (空载电流)	A	0.16
Peak Torque (峰值转矩)	N.m	6.5
Peak Current (峰值电流)	A	4.8
Motor Length (机身长度)	mm	50
Reduction Ratio (减速比)	i	10
Weight (重量)	Kg	0.35

W4920A



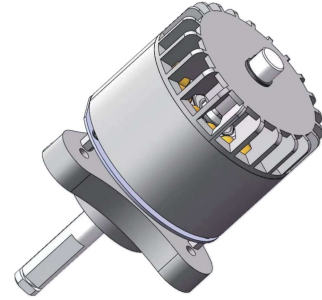
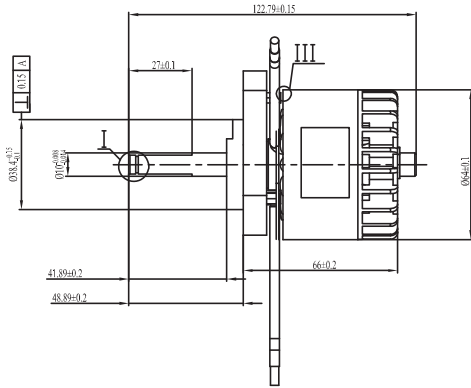
General Specifications (特性概要)

Winding Type (绕组连接方式)	Triangal (三角型)
Hall Effect Angle (霍尔分布角度)	/
Rotor Type (转子类型)	Outrunner (外转子)
Drive Mode (驱动方式)	External (外置)
Dielectric Strength (介电强度)	600VAC 50Hz 5mA/1S
Insulation Resistance (绝缘电阻)	DC 500V/1MΩ
Ambient Temperature (环境温度)	-20°C to +40°C
Insulation Class (绝缘等级)	Class H

Electrical Specifications (电性能)

	Unit (单位)	
Rated Voltage (额定电压)	VDC	40
Rated Torque (额定转矩)	N.m	0.1
Rated Speed (额定速度)	RPM	23000
Rated Power (额定功率)	W	240
Rated Current (额定电流)	A	7.5
No Load Speed (空载转速)	RPM	27000
No Load Current (空载电流)	A	20
Peak Torque (峰值转矩)	N.m	0.75
Peak Current (峰值电流)	A	30
Motor Length (机身长度)	mm	50
Weight (重量)	Kg	0.25

**W6430**



**General Specifications (特性概要)**

Winding Type (绕组连接方式)	Triangle (三角形)
Hall Effect Angle (霍尔分布角度)	120°
Rotor Type (转子类型)	Outrunner (外转子)
Drive Mode (驱动方式)	External (外置)
Dielectric Strength (介电强度)	600VDC/3mA
Insulation Resistance (绝缘电阻)	50MΩ
Ambient Temperature (环境温度)	-20°C~+40°C
Insulation Class (绝缘等级)	ClassB

**Electrical Specifications (电性能)**

	Unit (单位)	
Rated Voltage (额定电压)	VDC	40
Rated Torque (额定转矩)	N.m	0.2-0.3
Rated Speed (额定速度)	RPM	8000-10500
Rated Power (额定功率)	W	200-350
Rated Current (额定电流)	A	0.9
No Load Speed (空载转速)	RPM	13500
No Load Current (空载电流)	A	1.2
Peak Torque (峰值转矩)	N.m	1.3
Peak Current (峰值电流)	A	22
Motor Length (机身长度)	mm	40-70
Weight (重量)	Kg	0.4-0.9