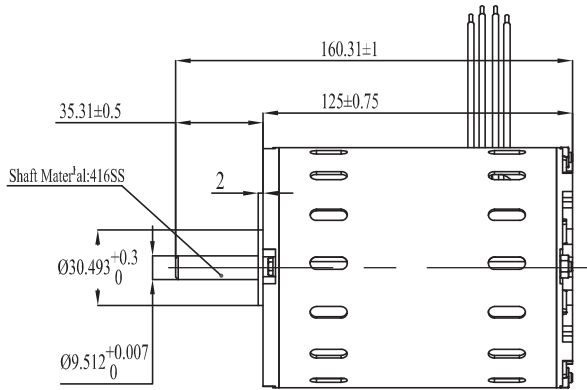


Y97125



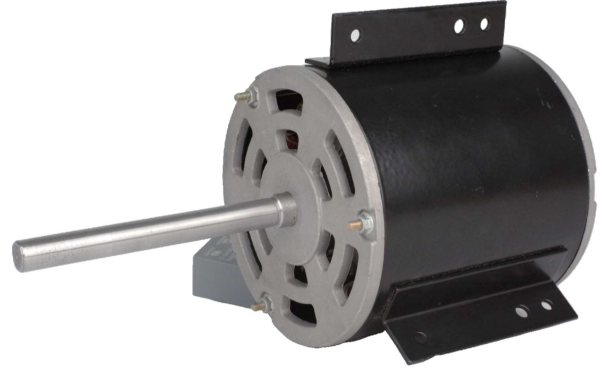
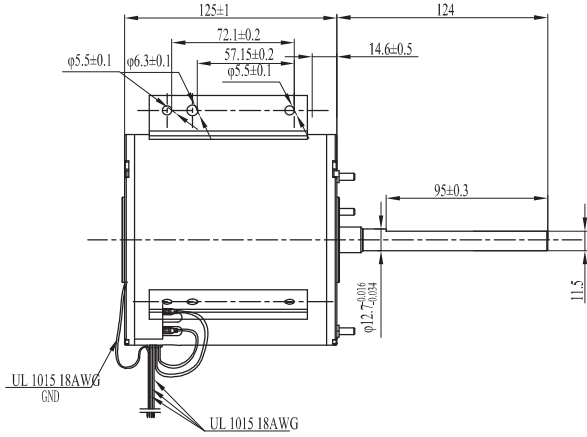
General Specifications (特性概要)

Dielectric Strength (介电强度)	1500VAC 50Hz 5mA/1S
Insulation Resistance (绝缘电阻)	DC 500V/1MΩ
Ambient Temperature (环境温度)	-20°C to +40°C
Insulation Class (绝缘等级)	Class B, Class F

Electrical Specifications (电性能)

	Unit (单位)	
Rated Voltage (额定电压)	VAC	115
Rated Speed (额定速度)	Rpm	1600
Input Power (输入功率)	W	70
Rated Current (额定电流)	A	0.6
Rated Frequency (额定频率)	Hz	60
Capacitance (电容)	μF	7
Weight of Motor (机身重量)	Kg	2.45
Motor Length (机身长度)	mm	125

Y124125A



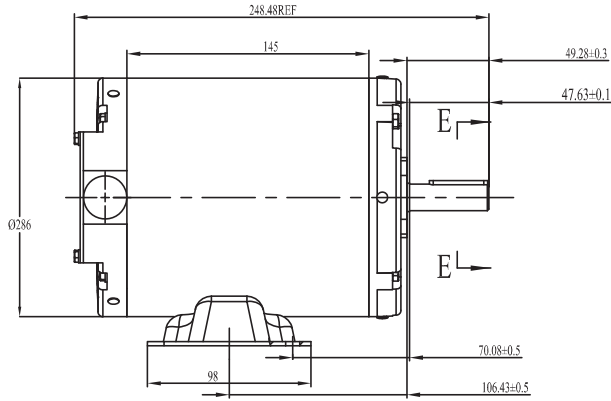
General Specifications (特性概要)

Dielectric Strength (介电强度)	1500VAC 50Hz 5mA/1S
Insulation Resistance (绝缘电阻)	DC 500V/1MΩ
Ambient Temperature (环境温度)	-20°C to +40°C
Insulation Class (绝缘等级)	Class B, Class F

Electrical Specifications (电性能)

	Unit (单位)	
Rated Voltage (额定电压)	VAC	115
Rated Speed (额定速度)	Rpm	1075
Input Power (输入功率)	W	185
Rated Current (额定电流)	A	3.2
Rated Frequency (额定频率)	Hz	60
Capacitance (电容)	μF	20
Weight of Motor (机身重量)	Kg	5.15
Motor Length (机身长度)	mm	125

Y286145



General Specifications (特性概要)

Dielectric Strength (介电强度)	1500VAC 50Hz 5mA/1S
Insulation Resistance (绝缘电阻)	DC 500V/1MΩ
Ambient Temperature (环境温度)	-20°C to +40°C
Insulation Class (绝缘等级)	Class B, Class F

Electrical Specifications (电性能)

	Unit (单位)	
Rated Voltage (额定电压)	VAC	230
Rated Speed (额定速度)	Rpm	1083
Input Power (输入功率)	W	374
Rated Current (额定电流)	A	1.66
Rated Frequency (额定频率)	Hz	60
Capacitance (电容)	μF	10
Weight of Motor (机身重量)	Kg	7.2
Motor Length (机身长度)	mm	200